

立式灌装机

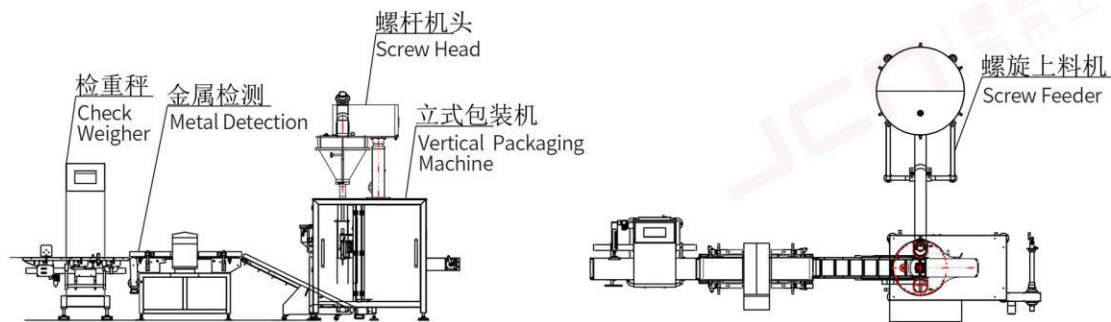
VERTICAL FILLING MACHINE



本机包装范围广泛，具有稳定的封口强度，更换部件为一个个的单元，可迅速更换单元部件，改变包装规格，是安全性很高的对应低、中、高粘度产品的一种机型，考虑卫生要求，本机本体框架、主要内外零部件均采用不锈钢，适用于食品工业。热封行程与切割动作是独立进行，可切割装置上的附着物，防止切割刀的污染，同时方便快速的调整包装长度。

This machine has a wide range of packaging, stable sealing strength, replacement parts for individual units, quick replacement of unit parts, and changes in packaging specifications. It is a safety-oriented model for low, medium and high viscosity products. Considering the hygiene requirements, the main body frame and the main internal and external parts are made of stainless steel, which is suitable for the food industry. The heat sealing stroke and the cutting action are carried out independently, and the attachment on the device can be cut to prevent the contamination of the cutting knife, and at the same time convenient and fast. Adjust the package length.

尺寸及参数 Size And Parameters



制袋长度 Bag Length	充填物 Filler	制袋宽度 Bag Width	封口形式 Sealing Form	包装能力 Packaging Capacity	使用电力 Using Electricity	填充容量 Filling Capacity	薄膜输送量 Film Transport
300-500mm	液体/粘体 Liquid/Adhesive	200-300mm	背封式 Back seal	3-5袋/分 3-5 bags / min	3相380V,8KW 3-phase 380V, 8KW	2000L-5000L	13m/min(max)



优势特点

_Advantage

- 高速高精度 High speed and high precision
- 伺服驱动，操作简单、可靠 Servo drive, easy to operate and reliable
- 袋长广域可调 Bag length and wide area adjustable
- 光电补正功能 Photoelectric correction function
- 切割位置、切口深度运转中可调 Adjustable cutting position and incision depth
- 安全保护设计 Safety protection design
- 故障报警提示系统 Fault alarm prompt system

设备结构

_Equipment Structure



除尘充氮
Dust Removal And
Nitrogen Filling



真空拉膜
Vacuum Film



无动力除尘
Unpowered Dust Removal

应用范围

_Use Range

- 用于粉料与粉料、颗粒与颗粒、粉料与颗粒、粉料与少量液体、颗粒与少量液体的混合等工艺。特别适用于假结块物料、喷液物料
It is used in the process of mixing powder and powder, granules and granules, powder and granules, powder and small amount of liquid, granules and small amount of liquid. Especially suitable for fake agglomerate materials, spray materials.

